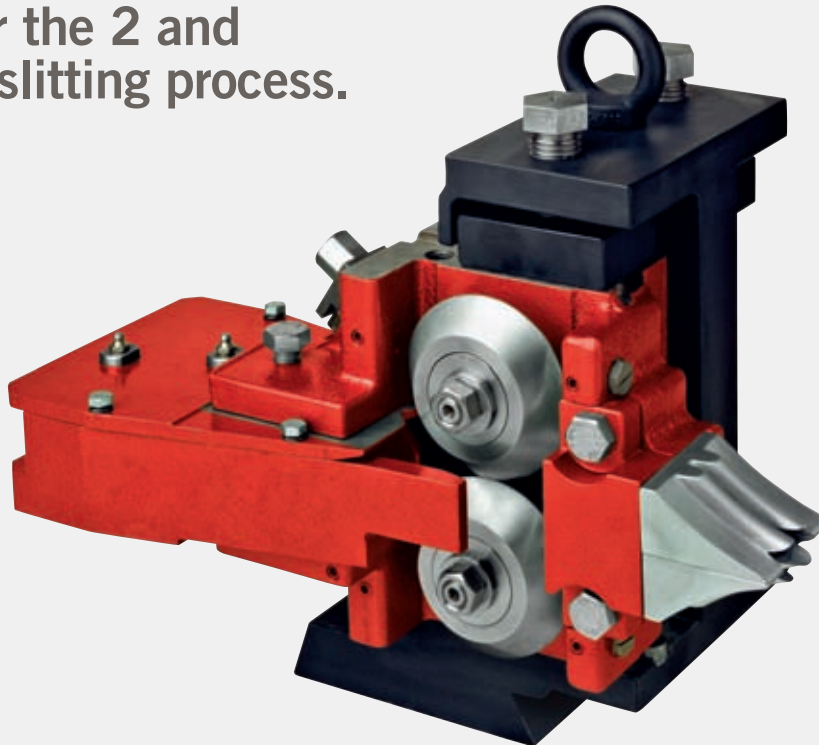




CTD-RS slitting guide. The easiest and well-proven reliable solution for the 2 and 3-slitting process.

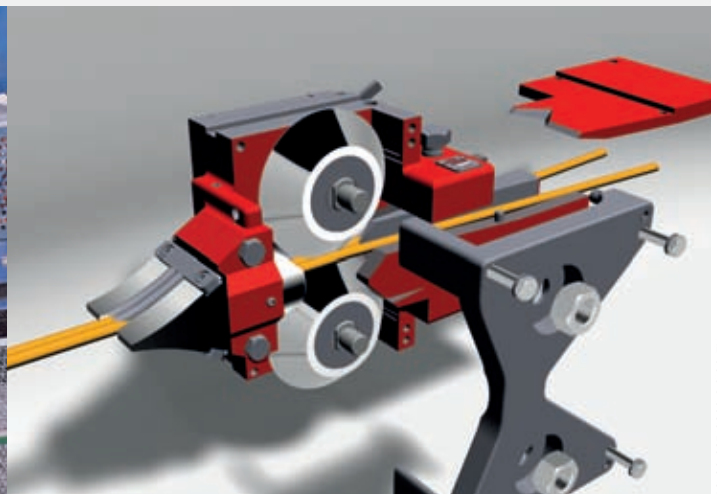
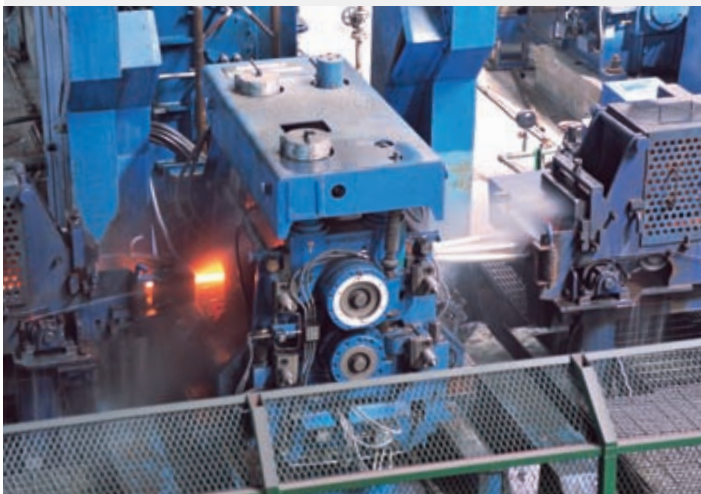


CTD-RS
GUIDE SERIES
>exit slitting
roller guide<

Guide features

- > The cantilever design allows the use of rollers with larger diameter and bigger bearings with consequent longer utilization time and higher load capacity.
- > Visually-controlled rollers for direct verification of operating conditions.
- > The design ensures an optimal use of the roll barrel thanks to the symmetrical guide design which allows installation in upturned position.
- > All adjustment operations can be carried out with a single 24/36-mm wrench.

- > Available in two sizes (CTD-01-RS – CTD-02-RS).
- > High loading capacity bearing to grant long operative life.
- > Quick and easy roller replacement procedures.
- > Simplified maintenance and reduced number of components and spare parts thanks to its unique design.
- > Easy removal of cobbles.
- > Symmetrical fine adjustment for both guide rollers keeping the pass line unchanged.
- > Double support to further increase rigidity as option.



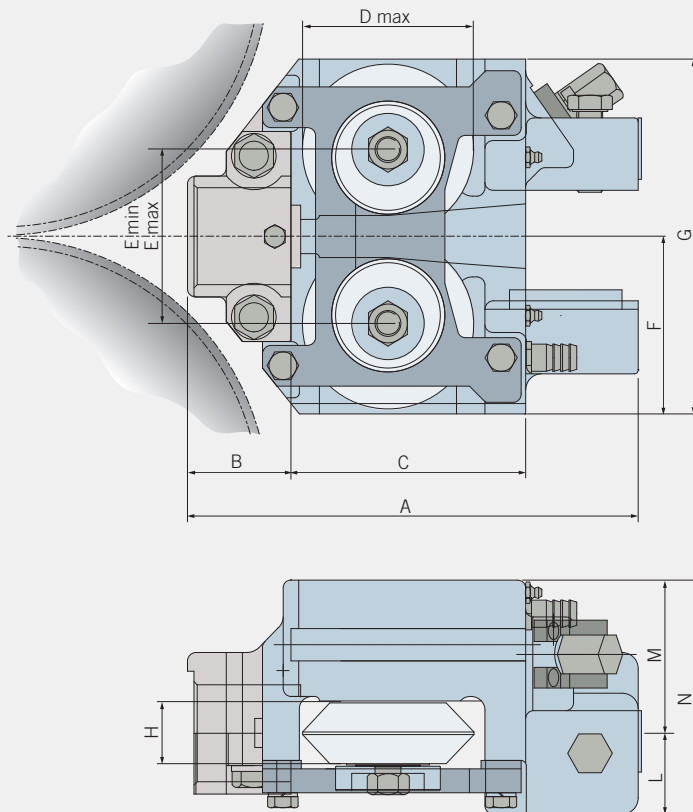


CTD-RS slitting guide.
The easiest and well-proven reliable solution
for the 2 and 3 slitting process.

Roller guide	A	B	C	D max	E max	E min	F	G	H	L	M	N
CTD-01-RS	280	65	150	107	107.6	88.6	110	220	38	50	95	145
CTD-02-RS	335	65	200	164	164.6	140.6	140	280	65	70	122	192

Guide type
CTD-RS

(dimensions in mm)



Roller guide	Max 2 slit section	Max 3 slit section
CTD-01-RS	2 x 20 mm (final 2 x 16)	N.A.
CTD-02-RS	2 x 32 mm (final 2 x 25)	3 x 20 mm (final 3 x 16)

