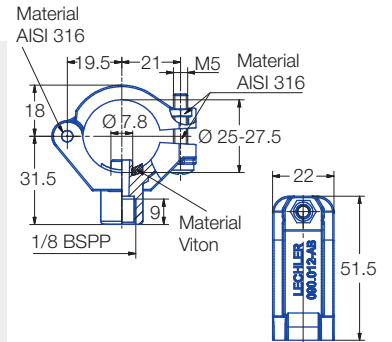
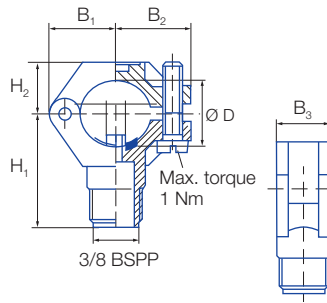




Accessories

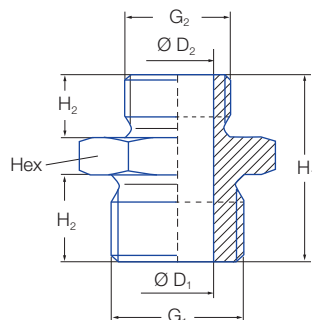
Eyelet clamps / Double nipples / Nuts

Eyelet clamps



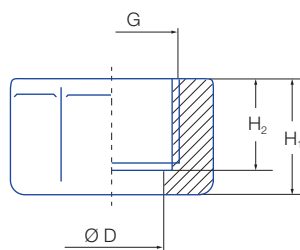
Ordering no.	Mat. no.			Screw	Dimensions [mm]								Weight (Polyamid)
	51	53	5E		Pipe Ø	D Ø	B _R Ø	B ₁	B ₂	B ₃	H ₁	H ₂	
Type	Polyamid	Polypropylene	PVDF										
090.053	○	○	○	Material AISI 304	3.8"	16.5-18.0	6.2	19.0	22.0	18.5	34.5	14.5	20 g
090.003	○	○	○		1/2"	20 - 22.0	6.2	21.2	23.8	18.5	36.5	16.5	20 g
090.013	○	○	○		3/4"	25 - 27.5	7.8	24.5	26.5	22.0	39.5	17.5	25 g
090.023	○	○	○		1"	32 - 34.5	10.8	30.0	31.0	22.0	44.0	21.0	32 g
090.033	○	○	○		1 1/4"	40 - 43.0	12.8	34.0	35.5	25.0	48.0	25.0	38 g
090.012	-	-	○	AISI 316	3/4"	25 - 27.5	7.8	19.5	21.0	22.0	31.5	18.0	40 g

Double nipples



Ordering no.	Mat. no.		Dimensions [mm]								Weight (Brass)
	17	30	G ₁ BSPP	G ₂ BSPP	H ₁	H ₂	D ₁	D ₂	Hex		
065.215	○	○	3/8	1/4	25	10	10	7	22	30 g	
065.211	○	○	3/8	3/8	25	10	11.5	-	22	25 g	

Nuts



Ordering no.	Mat. no.					Dimensions [mm]					Weight (Brass)
	16	17	30	56	5E	G BSPP	H ₁	H ₂	D	Hex	
065.200	○	○	○	-	-	3/8	13.0	10.0	12.8	22	25 g
065.200	-	-	-	○	○	3/8	14.5	11.5	12.8	22	25 g