



Multi-channel flat fan nozzles for air Whisperblast® Series 600.130 / 600.493 / 600.562

**Highly efficient air stream,
acting upon areas.
Reduced noise levels. Low
air consumption.**

Applications:
Blowing off and blowing out,
cleaning, drying, cooling,
conveying with air.



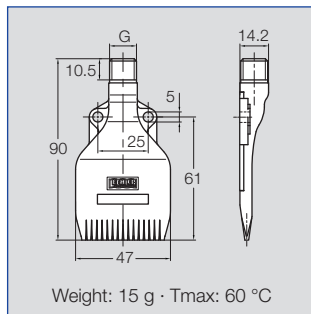
600.130.S2
(PP colourless)



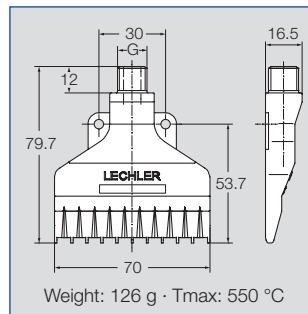
600.493.1Y
(Stainless steel AISI 316L)



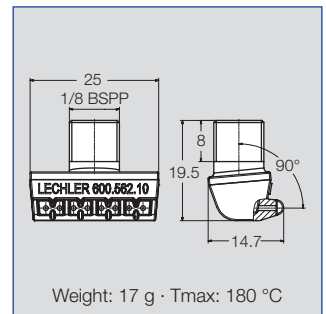
600.562.1Y.10
(Stainless steel AISI 316L)



Weight: 15 g · Tmax: 60 °C

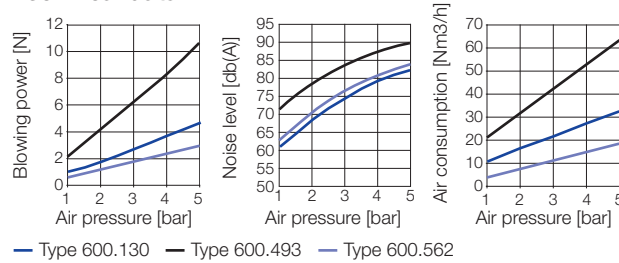


Weight: 126 g · Tmax: 550 °C



Weight: 17 g · Tmax: 180 °C

Technical data



Type	Ordering no.				
	Mat. no.		Code		
	1Y Stainless steel	S2 PP colourless	1/8 BSPP	1/4 BSPP	1/4 NPT
600.130	-	○	-	AC	BC
600.493	○	-	-	AC	BC
600.562.1Y.10	○	-	○	-	-

Example Type + Material no. + Code = Ordering no.
for ordering: 600.130 + S2 + AC = 600.130.S2.AC

