

High impact tank cleaning machine

MeshClean

Series 5T2/5T3



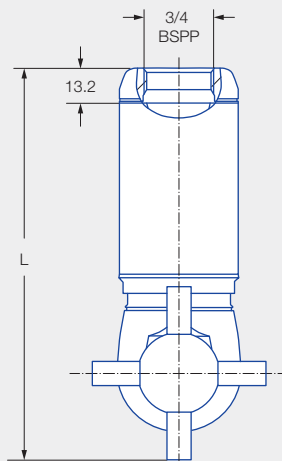
Features:

- High efficiency thanks to especially powerful solid jet nozzles
- Also suitable for smaller tanks with stubborn soiling
- Active self-cleaning through special nozzle geometry
- Particularly low-maintenance

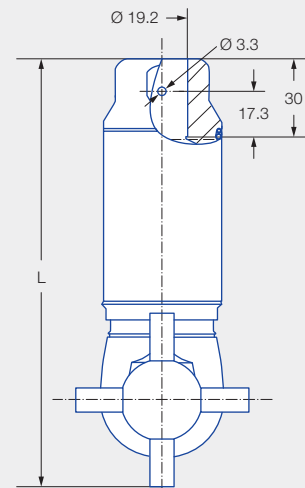


**ATEX version
on request**

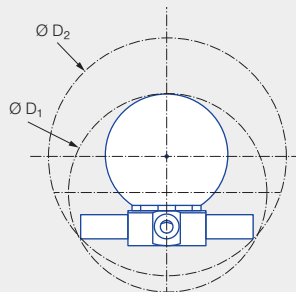
Series 5T2/5T3



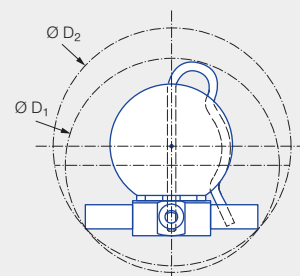
Female thread



Dimensions of slip-on connection
according to ASME-BPE (OD tube)



Insertion diameter D_1 and
interference circle diameter D_2
of the threaded connection



Insertion diameter D_1 and
interference circle diameter D_2
of the slip-on connection

Max. tank diameter [m]	0	3	6	9	12	15	18	21	24	27
------------------------	---	---	---	---	----	----	----	----	----	----

Cleaning efficiency class
5

Max. temperature
150 °C

Installation
Operation in every installation position

Bearing
Ball bearing

Material
Stainless steel 316L, PTFE, PEEK, EPDM or FKM

Recommended operating pressure
5 bar

Filtration
Line strainer with a mesh size of 0.2 mm/80 mesh

Rotation monitoring
Sensor compatible, for information: See Page 229

Adapter
3/4 BSPP is compatible with HygienicFit

www.lechler.com/de-en/medialibrary/videos-general-industry
Or scan the QR code.



Spray angle	Ordering no.						Narrowest free cross section Ø [mm]	Number, Ø Nozzles [mm]	V̇ water [l/min]					Dimensions [mm]						Max. tank diameter [m]
	Type	Connection				p [bar] (p _{max} = 15 bar)					Female thread			Slip-on connection						
		3/4 BSPP		3/4" slip-on connection		2.0			3.0	5.0	10.0	at 40 psi [US gal/min]	L	Ø D ₁	Ø D ₂	L	Ø D ₁	Ø D ₂		
		EPDM	FKM	EPDM	FKM															
	5T2.849.1Y	AL	22	TF07	31	1.75	4 × 1.75	13	15	20	28	4	142	68	82	157	77	82	11.5	
	5T2.969.1Y	AL	22	TF07	31	2.70	4 × 2.70	25	31	40	57	8	142	68	82	157	77	82	12.0	
	5T3.029.1Y	AL	22	TF07	31	3.20	4 × 3.20	35	43	55	78	11	142	68	82	157	77	82	12.5	
	5T3.089.1Y	AL	22	TF07	31	4.00	4 × 4.00	50	61	79	112	16	148	74	91	163	82	91	13.0	

The maximum tank diameter applies to the recommended operating pressure and is meant as a recommendation only. The cleaning result is also affected by the type of soiling.

Compressed air should be used for dry blowing for a short time only. Operation above the recommended operating pressure has a negative impact on the cleaning result and wear.

Ordering Type + Code = Ordering no.
example: 5T2.849.1Y + AL = 5T2.849.1Y.AL